

Sellstrom/RTC[®] SkySwivel[™]

Installation Operation and Maintenance Instructions

Instruction: INST-146SVL
Effective: 5/2002
Expiration: 5/2012
Replaces: None

- The Sky-Swivel[™] mechanism mounts to either the fixed or removable ladder extension to provide ease in exiting and entering the top of a ladder system.
- The Sky-Swivel[™] allows the worker to rotate the rail on which the Climb-Rite[®] device rides a full 360 degrees.
- Corrosion resistant stainless steel construction
- Conforms to OSHA 1910.27(d) & 1926.1053 for Ladder Safety Devices. ANSI A14.3 (1992) Fixed Ladder Safety Standard.



WARNINGS

Under Penalty of Law:

These instructions are not to be removed except by the user of this equipment. Current instructions must always be available to any potential user. Note: Because of continuous developments in the application and use of SM/RTC equipment and our desire to serve your best interests, these instructions are invalid 10 years after the effective date on these instructions. If you purchase a product, and these instructions are out of date, call SM/RTC Customer Service and request current instructions. Dial toll free (800) 323-7402 (U.S. and Canada) or (847) 358-2000.

If you have difficulty or experience any problem with SM/RTC equipment or the instructions, call the above toll-free number or (847) 358-2000 immediately and ask the Customer Service department for assistance.

Use this equipment as a part of a complete fall protection system. Inspect and maintain regularly.

You must read and fully understand or have the following instructions explained to you before using this equipment. Failure to do so could result in serious or fatal injury.

Atencion: Si usted no puede leer el ingles o si usted no comprende estas instrucciones, favor de consultar su director de seguridad o su supervisor.

Attention: Si vous ne pouvez pas lire l'anglais ou si vous ne comprenez pas les instructions, consultez votre directeur de securite ou votre superviseur.

Achtung: Wenn Sie nicht Englisch lesen können und diese Anweisungen nicht verstehen, dann fragen Sie bitte Ihren Sicherheitsdirektor oder Ihren Aufselher.

Attenzione: Se non leggiere l'inglese o non capite queste istruzioni, per favore rivolgete Vi al Vostro Direttore, responsabile della "Sicurezza sul Lavoro" o al Vostro diretto superiore.

You assume complete liability if you fail to follow these instructions and are injured. Use this equipment only as instructed.

Warning: All SM/RTC equipment should be as part of a complete SM/RTC fall protection or emergency rescue system. If the buyer or user chooses to disregard this warning, he is solely responsible for the safety of the entire system and all users.

Before replacing or adding components to a fall protection or emergency escape system, consult the original manufacturer. Federal OSHA states that any unauthorized substitution or change to a system by the buyer should be fully evaluated or tested by a qualified person before the new system is put into use (see OSHA 1926.500).

All potential users of this equipment and user's management must read and understand all instructions fully; failure to do so could result in serious or fatal injury.

No fall arrest system can guarantee that you will not sustain injuries if a fall occurs. The most you can expect is that injuries will be substantially reduced. Improper use of this equipment will vastly increase your chances of serious injury or death because misuse builds false security. To achieve the maximum level of safety that this equipment is capable of providing, all instructions must be followed diligently. This means careful planning of your application and work method.

Sellstrom Manufacturing Co.
One Sellstrom Drive
Palatine, IL 60067
Phone 800.323.7402
Fax 847.358.8564

Sellstrom/RTC[®] SkySwivel[™]

Installation Operation and Maintenance Instructions

Complete System Components

A complete fall protection system consists of the following components that are arranged to fit the specific work task and control the elevated fall hazard(s):

- **Anchorage**

An anchorage is a secure means of attachment to which the personal fall arrest system is connected. (ANSI Z359.1)

- **Body Support**

A body support is the component of a personal fall protection system that is worn on or around the body. Full body harnesses must be used for all fall arrest systems.

- **Connecting Means**

A connecting means is the link between the body support and anchorage. It can be a shock-absorbing lanyard, rope grab, self-retracting lanyard or retrieval system. Connecting means will vary depending on the application.

The user must also have a rescue plan and the means at hand to implement it in the event of a fall.

Note: For continuous protection, more than one system may be needed.

Warning! No other applications or methods of use are allowed without prior written approval. Failure to comply with these guidelines may result in serious injury or death.

1.0 Application

The SM/RTC SkySwivel[™] mechanism is approved for use only in combination with an SM/RTC Climb-Rite[®] ladder rail system, the removable ladder extension for such system, and the permanent ladder extension for such system. The SkySwivel[™] must be installed as instructed and all precautions must be followed to prevent personal injury due to misuse.

Use of this equipment near physical or environmental hazards may require additional precautions. Contact SM/RTC if you have any questions or concerns.

2.0 Operating Characteristics

The SkySwivel[™] enables a user to more easily exit and enter the top of the Climb-Rite[®] ladder rail system by providing a full 360 degree rotation while still attached to the system. This allows the user to easily step on and off the ladder system while still remaining connected. A D-ring style anchor point is also available to be used as an attachment point for a lanyard while working on top and off of the ladder. Only one person, weighing 310 pounds or less (including tools), can be attached to this anchor point at a time.



SkySwivel[™] Installed with
ClimbRite[®] Device

Sellstrom Manufacturing Co.
One Sellstrom Drive
Palatine, IL 60067
Phone 800.323.7402
Fax 847.358.8564

Sellstrom/RTC[®] SkySwivel[™]

Installation Operation and Maintenance Instructions

3.0 Installation

3.1 Installation on Removable / Fixed Ladder Extensions

3.1.2 Remove top bolt and locknut from the ladder extension and discard.

3.1.3 Attach the SkySwivel[™] to the ladder extension by sliding the two bolts supplied, first through the extension and then through the holes in the bottom portion of the SkySwivel[™] (Figure One). Secure with the nylon insert locknuts. Tighten bolts to approximately 15 ft-lbs.

3.1.4 If you purchased the SkySwivel[™] to attach to a ladder extension manufactured before May of 2002, you will need to drill two .406-inch diameter holes through both the rail and the extension, located 1/2 inch and 6 inches down from the top of the extension and rail, to accommodate the SkySwivel[™]. This will make the two holes 5-1/2 inches apart (Figures Two and Three). Insert bolts, secure with locknuts, and tighten to approximately 15 ft-lbs.

3.1.5 Adjust the rail on the SkySwivel[™] as needed to line up with the rail on the extension. Allow an approximate 1/8-inch to 1/4-inch gap between the rail on the SkySwivel[™] and the rail on the extension (Figure Four). When aligned, tighten bolts to approximately 15 ft-lbs.

3.1.6 Check to assure the SkySwivel[™] can rotate a full 360 degrees. Also check to make sure all bolts and nuts are securely fastened every time in use.

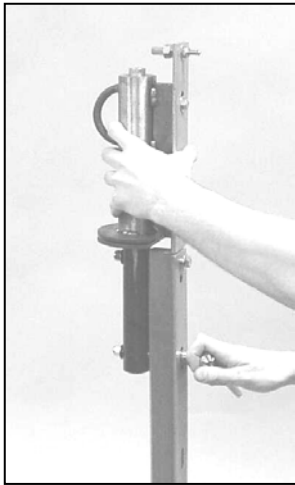


Figure One

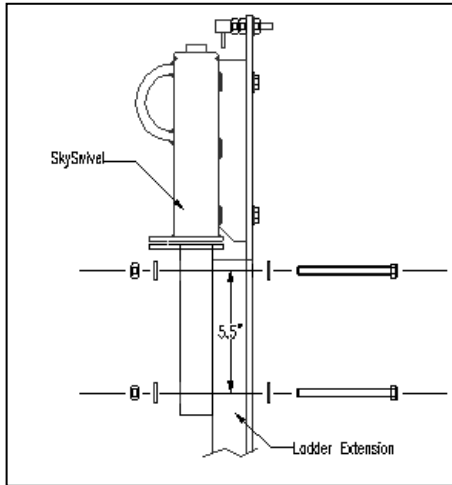


Figure Two



Figure Three

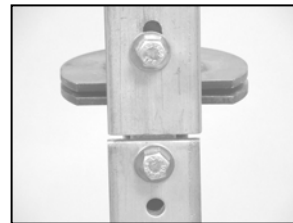


Figure Four

Sellstrom/RTC® SkySwivel™

Installation Operation and Maintenance Instructions

4.0 Operating Instructions

4.1 Rotation of SkySwivel

4.1.2 When the Climb-Rite® device engages the SkySwivel™ and the user is prepared to step off the ladder, the SkySwivel™ can be rotated by hand.

4.1.3 When the user is ready to descend the ladder, the SkySwivel™ can again be rotated by hand, and will lock into place when aligned with the rail of the extension.

4.2 Removal/Attachment of Climb-Rite® device

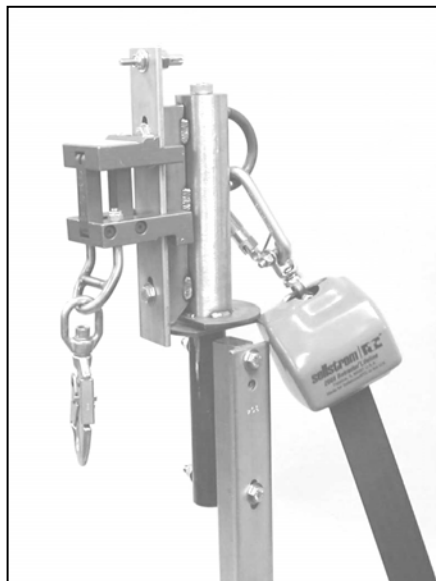
4.2.2 The Climb-Rite® device can be removed and attached to the SkySwivel™ by pulling the quick release pin located at the top of the rail, and sliding the Climb-Rite® up and off of the rail.

4.2.3 To reattach Climb-Rite® device, pull the quick release pin and slide the Climb-Rite® down the rail and clear past the pin.

4.2.4 Always stage the quick release pin in the closed position when not in use to prevent accidental disengagement of the Climb-Rite® device.

You must follow these instructions carefully to enable this equipment to protect you. Notify your supervisor or the safety department immediately if you have any concerns about the condition of the equipment, if you experience any problems, or if you do not understand the instruction sheet. Never take chances.

Use only as directed in the corresponding instructions provided with each Climb-Rite system.



SkySwivel™ Installed
with ClimbRite® and
SM/RTC 2008 SRL

Sellstrom Manufacturing Co.
One Sellstrom Drive
Palatine, IL 60067
Phone 800.323.7402
Fax 847.358.8564

Sellstrom/RTC[®] SkySwivel[™]

Installation Operation and Maintenance Instructions

5.0 Inspection

5.1 The user must inspect all equipment visually before each use. We suggest a formal inspection at least every six months by a competent person other than the user. We list this time interval because it is the most stringent of all the national consensus standards for fall protection:

- ANSI A10.14, American National Standard for Constructions and Demolition Operations - Requirements For Safety Belts, Harnesses, Lanyards and Lifelines for Construction And Demolition Use requires a formal inspection by a competent person every six months.
- ANSI Z359.1 requires inspection by a Competent Person once every year.
- OSHA 1910.66 and 1926.500 requires no formal inspection period, only inspection by the user before each use.

Because ANSI A10.14 is a national consensus standard, and compliance is not required by law, your company has the discretion to determine if the standard is applicable to your workplace. If you find any defective conditions, remove the item from service immediately, replace it, and contact SM/RTC for advice. Failure to remove damaged or questionable equipment could lead to serious or fatal injury.

5.2 Inspect all parts of the SkySwivel[™] for cracks, dents, distortion and burrs.

5.3 The SkySwivel[™] rail should line up with the rail on the extension when installed properly. Check to make sure the rails line up and that the Climb-Rite[®] device can engage the SkySwivel[™] smoothly.

5.4 All nuts should be secure.

5.5 The SkySwivel[™] should rotate smoothly and the Climb-Rite[®] should not be able to come off the rail unless the quick release pin is engaged. If the Climb-Rite[®] can for any reason slide off the SkySwivel[™] with the quick release pin closed and locked, call SM/RTC for immediate service.

5.6 Labels: Check to see that labels are intact and legible. If the system passes inspection, mark the inspection date on the inspection grid.

5.7 Additional Equipment: Inspect all fall protection equipment used with the system as directed in the instructions for each piece of equipment.

6.0 Maintenance

6.1 Personal protection equipment should be maintained regularly to help make sure that the equipment will operate properly when needed.

Failure to maintain and store equipment carefully can result in poor operation that could lead to serious or fatal injury.

6.2 All equipment should be part of a periodic maintenance program that includes detailed records of inspection and maintenance. A minimum of a monthly inspection is suggested, and more frequent inspections should be considered if the equipment is heavily used.

6.3 Never make any adjustments, repairs, or substitute any parts of the SM/RTC system. Call SM/RTC Customer Service for advice.

6.4 Cleaning: Steel components should be wiped down to remove grease, mud, sand, or other potentially harmful debris. Spray sliding bar with a dry lubricant regularly.

7.0 Training Guidelines

All training must be conducted under careful and competent supervision. Live hands-on training for all users is essential to help understand the capabilities and limitations of their personal protective equipment. Training also helps promote confidence and should be conducted as an initial introduction, as well as periodically for review and additional practice. Also, this instruction booklet should be stored where users can easily review it whenever necessary. Training should be site specific.

8.0 Warnings

Failure to observe the warnings below, follow all instructions in this booklet, or seek qualified assistance when needed can lead to serious or fatal injury.

8.1 Do not exceed maximum weight capacity of 310 lb., including tools, on both the rail of the SkySwivel[™] and the D-ring combined.

8.2 Never substitute parts of the SM/RTC SkySwivel[™].

8.3 Do not use this equipment in violation of any applicable company, state, or federal standard or requirement.

8.4 All users must be in good mental and physical health and not under the influence of drugs or alcohol.

8.5 To achieve the maximum level of safety possible with this system, all instructions must be followed carefully and fully. You must plan the use of safety equipment before the job begins. Regularly inspect and maintain the system.

8.6 Anyone who has a history of back or neck problems that could be aggravated or complicated by using fall protection equipment should not do so. Pregnant women and minors should not use this equipment. If there is any reason why you may not be physically able to safely absorb the forces subjected in the event of a fall arrest, consult your doctor.

9.0 Questions

If you have any question or need additional explanation or clarification about the use of any SM/RTC equipment, call SM/RTC Customer Service toll-free 800-323-7402 (U.S. and Canada) or 847-358-2000 in Illinois or outside the Continental United States.

Sellstrom Manufacturing Co.
One Sellstrom Drive
Palatine, IL 60067
Phone 800.323.7402
Fax 847.358.8564