

Sellstrom/RTC® Steel Beam SkyGirder™

Installation, Operating & Maintenance Instructions

SM/RTC Product: SkyGirder™

The Sellstrom/RTC (SM/RTC) SkyGirder™ post system is a prefabricated anchorage for horizontal lifelines. It is designed to provide horizontal mobility and fall protection. This post system attaches to steel I-beams with a flange width between 6" and 21".



WARNINGS



**To the Receiver,
Contractor, Store
Manager, Safety
Director, Supervisor,
Buyer, or anyone except
the ultimate equipment
users:**

Under Penalty of Law

These instructions are not to be removed except by the user of this equipment. Current instructions must always be available to any potential user. Note: Because of continuous developments in the application and use of SM/RTC equipment and our desire to serve your best interests, these instructions are invalid 10 years after the effective date on these instructions. If you purchase a product, and these instructions are out of date, call SM/RTC Customer Service and request current instructions. Dial toll free (800) 323-7402 (U.S. and Canada) or (847) 358-2000.

If you have difficulty or experience any problem with SM/RTC equipment or the instructions, call the above toll-free number or (847) 358-2000 immediately and ask the Customer Service department for assistance.

It is the responsibility of the user's management to review these instructions periodically, and to ensure compliance with every requirement to maintain the system's designed integrity. The equipment purchased is designed to be used as a part of a complete fall protection system and is to be inspected and maintained regularly.

WARNINGS Continued . . .

Sellstrom/RTC® Steel Beam SkyGirder™

Installation, Operating & Maintenance Instructions

WARNINGS



To the Equipment User:
You must read and fully understand or have the following instructions explained to you before using this equipment. Failure to do so could result in serious or fatal injury.

Atencion: Si usted no puede leer el ingles o si usted no comprende estas instrucciones, favor de consultar su director de seguridad o su supervisor.

Attention: Si vous ne pouvez pas lire l'anglais ou si vous ne comprenez pas les instructions, consultez votre directeur de securite ou votre superviseur.

Achtung: Wenn Sie nicht Englisch lesen können und diese Anweisungen nicht verstehen, dann fragen Sie bitte Ihren Sicherheitsdirektor oder Ihren Aufselher.

Attenzione: Se non leggiere l'inglese o non capite queste istruzioni, per favore rivolgete Vi al Vostro Direttore, responsabile della "Sicurezza sul Lavoro" o al Vostro diretto superiore.

You assume complete liability if you fail to follow these instructions and are injured. A "no" answer to any question in the Safety Checklist on the back page of these instructions, either before or during product use, is an unsafe use of this equipment. Use this equipment only as instructed.

Warning: All SM/RTC equipment should be as part of a complete SM/RTC fall protection or emergency rescue system. If the buyer or user chooses to disregard this warning, he is solely responsible for the safety of the entire system and all users.

Before replacing or adding components to a fall protection or emergency escape system, consult the original manufacturer. Federal OSHA further states that any unauthorized substitution or change to a system by the buyer should be fully evaluated or tested by a qualified person before the new system is put into use (see OSHA 1926.500).

All potential users of this equipment and user's management must read and understand all instructions fully; failure to do so could result in serious or fatal injury.

No fall arrest system can guarantee that you will not sustain injuries if a fall occurs. The most you can expect is that injuries will be substantially reduced. What you can be sure of is that improper use of this equipment will vastly increase your chances of serious injury or death because misuse builds false security. To achieve the maximum level of safety that this equipment is capable of providing, all instructions must be followed diligently. This means careful planning of your application and work method.

Continued...

Sellstrom/RTC® Steel Beam SkyGirder™

Installation, Operating & Maintenance Instructions

Table of Contents	Section	Page	Section	Page
	1.0	Approved Applications 3	6.0	Inspection 8-9
	2.0	Available Models 3	7.0	Maintenance 9
	3.0	System Parameters 3	8.0	Special Warnings 9
	4.0	Installation & Attachment 4-7	9.0	Safety Checklist 10
	5.0	Operating Instructions 8	10.0	Inspection and Maintenance Log 11

1.0 Approved Application

The Sellstrom/RTC (SM/RTC) SkyGirder™ post system is a prefabricated anchorage for horizontal lifelines. This post system attaches to steel I-beams with a flange width between 6" and 21" and up to 1 3/8" thick.

The SM/RTC SkyGirder post system is approved for use only in combination with a SM/RTC Permacable® horizontal lifeline system, Beamwalker® temporary horizontal lifeline system or a Steel Cable with ShockPak™ horizontal lifeline system.

Use of this equipment near physical or environmental hazards may require additional precautions. Contact SM/RTC if you have any questions or concerns.

Warning



Use only with SM/RTC horizontal lifelines.

2.0 Available Models

The SkyGirder post system is available with either 7 ft. or 4 ft. posts. For systems anchored to 4-ft. post systems, use a shock-

absorbing lanyard not more than 4 ft. long. Free fall must not exceed 6 ft.

3.0 System Parameters

Information regarding anchorage strength, clearance and other horizontal lifeline parameters is included with each horizontal lifeline system. Verify that the anchorage beam meets these requirements before installing a SkyGirder system. Please contact SM/RTC if you have any questions about this information or your application. These parameters are critical to the safe use of the system.

For horizontal lifelines it is important to remember that the anchorages, including the supporting anchorage beam, must be designed and installed according to the instructions provided using a safety factor of at least two. Anchorage beams for horizontal lifelines may require anchorage strengths greater than 5,000 lb. Refer to the information provided by SM/RTC with each horizontal lifeline for anchorage requirements.

Sellstrom/RTC® Steel Beam SkyGirder™

Installation, Operating & Maintenance Instructions

4.0 Installation and Attachment

4.1 Inspect the system according to section 8.0.

4.2 Verify that the anchorage beams and the clearance below the walking-working surface meet the requirements set forth by the instructions for the horizontal lifeline system you will be using. Remember, horizontal lifelines shall be designed, and installed as part of a complete personal fall arrest system, which maintains a safety factor of at least two, under the supervision of a qualified person. If you have any questions or concerns, contact SM/RTC.

4.3 Tools required for Installation:
-Adjustable wrench

4.4 Installation:

Attach Beam Bracket on to the top flange of a steel I-beam by placing the channel section on top of the I-beam. The foot permanently attached to the channel must be fit snug up against and under the top flange of the I-beam. Next, slide the adjustable foot so that it fits tightly against the other side of the I-beam flange. Tighten the bolts on the adjustable foot so that they are tight on to the I-beam. Bolts must be securely fastened so that bracket cannot move along the I-beam.

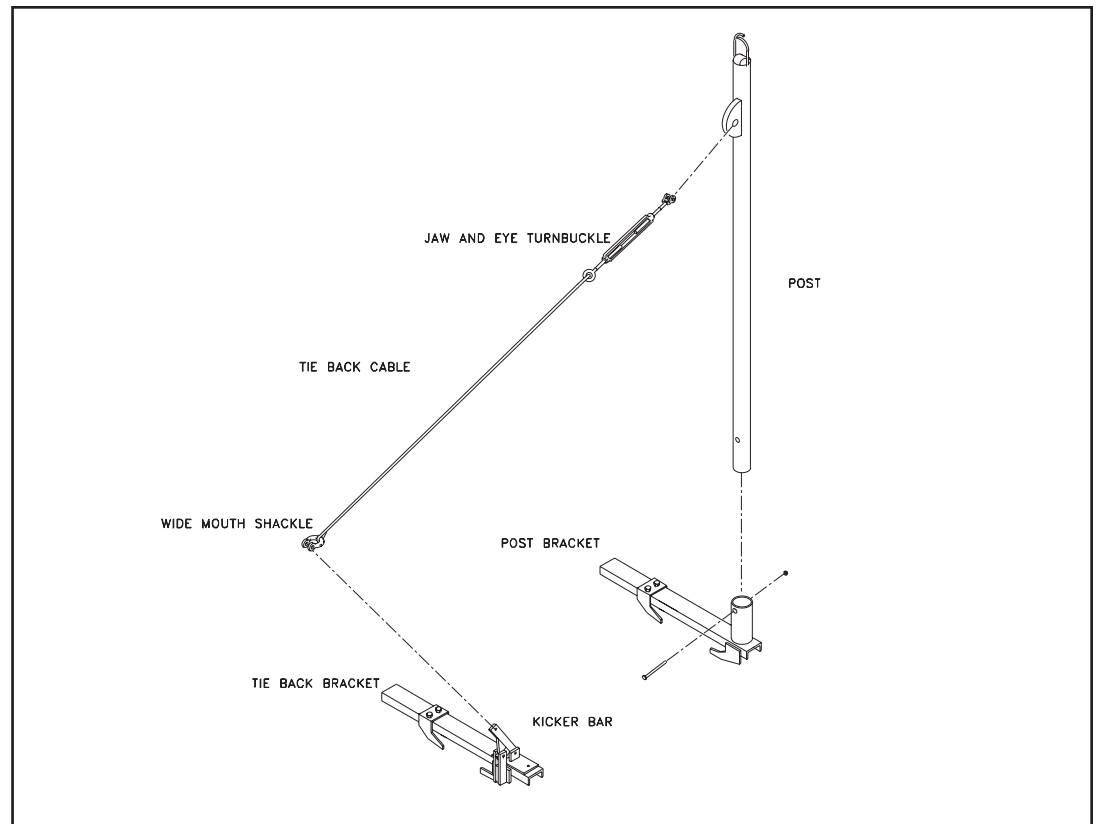


Figure 1

Continued...

Sellstrom/RTC® Steel Beam SkyGirder™

Installation, Operating & Maintenance Instructions

4.0 Installation and Attachment

Continued

4.5 Space Tie Back Anchor Bracket 7 to 7.5 feet back from the Beam Bracket (See Figure #2). This will place the horizontal lifeline system at approximately a 45-degree angle to the Tie Back Bracket. (If the post height is not 84", position Tie Back Bracket so that the Tie Back Cable is at approximately 45 degrees to the anchorage beam.) Tie Back

Bracket must be positioned behind the Beam Bracket so that it provides stability to the system if an individual falls on the horizontal lifeline. Note: The Kicker Bar on the Tie Back Bracket must be securely fastened underneath the top flange of the I-beam to provide additional stability to the system.

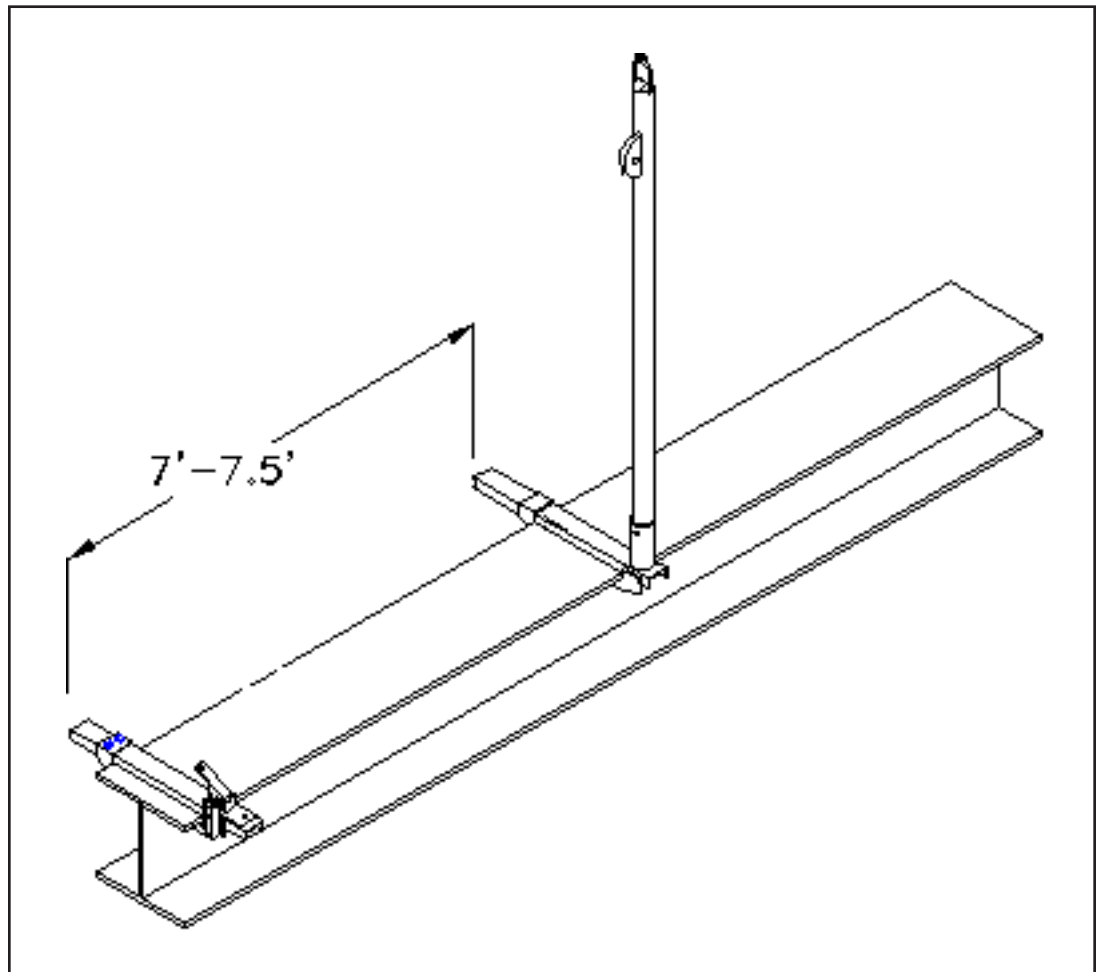


Figure 2

Continued...

Sellstrom/RTC® Steel Beam SkyGirder™

Installation, Operating & Maintenance Instructions

4.0 Installation and Attachment

Continued

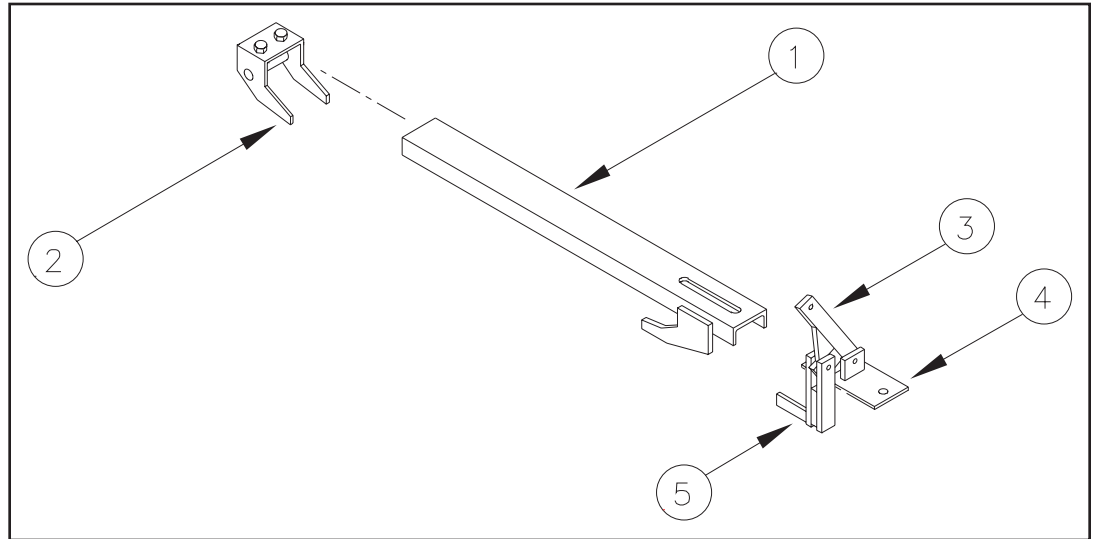


Figure 3

4.6 Attach the post to the Beam Bracket by placing the post into the sleeve. Next, secure the post into the sleeve with the 3/8" - 16 x 3.5" stainless steel bolt and 3/8" - 16 stainless steel stop nut provided with the system.

4.7 Attach the tie back cable by connecting the wide mouth shackle to the hole on the Kicker Bar (3). Hook the jaw and eye turnlet on the post. Cable should be taut.

Continued...

Sellstrom/RTC® Steel Beam SkyGirder™

Installation, Operating & Maintenance Instructions

4.0 Installation and Attachment

Continued

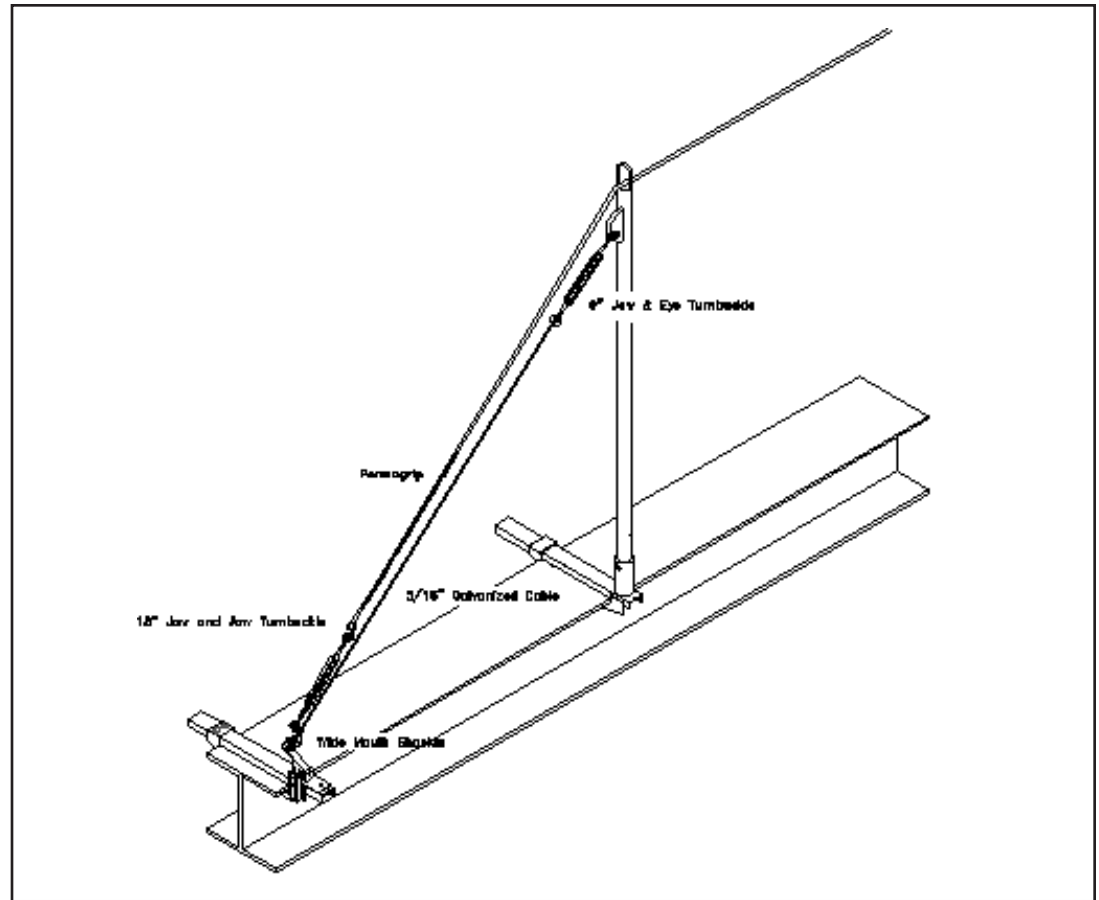


Figure 4

4.8 Intermediate Posts

Install the intermediate post brackets as instructed in paragraphs 4.2 and 4.4. (if applicable).

4.9 Installing the Horizontal Lifeline

The suggested height of the lifeline above the work surface level is 84" or more. If the height of the lifeline is below 84 in., there must be sufficient clearance from the walking-working surface to the ground or danger level. The swing factor and free fall

must be taken into consideration. If using a 4-ft. post system, a shock-absorbing lanyard of not more than 4 ft. must be used. Free fall must not exceed 6 ft.

4.10 Install the horizontal lifeline according to the instructions provided with the horizontal lifeline system, attaching the ends of the horizontal lifeline to the shackle on the tie back bracket and the lifeline over the end post.

Continued...

Sellstrom/RTC® Steel Beam SkyGirder™

Installation, Operating & Maintenance Instructions

5.0 Operating Instructions

You must follow these instructions carefully to allow this equipment to provide you with needed fall protection during this job. If you have any concerns about the condition of the equipment or experience any problems, or do not understand provided instruction sheet, notify your supervisor or the safety

department immediately. Never take any chances.

Use only as directed in the corresponding instructions provided with each horizontal lifeline system.

6.0 Inspection

6.1 The SkyGirder is a component of the horizontal lifeline system. The user must inspect the SkyGirder post system before every use along with the horizontal lifeline and other fall arrest equipment. Additionally, a competent person other than the user must inspect the SkyGirder at intervals of no more than six months. The competent person inspection is referred to as formal inspection and should be carried out as part of the horizontal lifeline inspection. A detailed record of inspection dates must be maintained. A sample inspection and maintenance log is provided at the end of these instructions for your convenience. A convenient inspection date grid is also provided on the horizontal lifeline.

Warning



If damage is found or you have questions or any doubts about the equipment's condition, do not use the equipment. Tag the system "DO NOT USE" and contact SM/RTC Customer Service for advice.

6.2 Inspect the post and tie back brackets to make sure that they are securely fastened to the top flange of the I-beam. Bolts must also be securely fastened so that the brackets can not move along the I-beam.

6.3 Inspect all hardware, posts, brackets, welded joints and cable for cuts, burns, corrosion, burrs, cracks, dents, distortion, abrasion and any other signs of wear or damage. Any cuts, wearing or abrasions to the cable or hardware is a signal to immediately remove the cable from service and replace with new cable and/or hardware. Also remove the cause of the damage from the system.

6.4 Inspect the following:

- Posts must be straight
- Bolts are not bent
- I-beam is straight
- Cables are not cut or frayed

6.5 Inspect the horizontal lifeline system according to the instructions provided with each horizontal lifeline system.

6.6 Inspect all other equipment including full body harnesses and fall arrestors according to the instructions provided with the equipment.

6.7 Labels on all SM/RTC equipment must be secure and easy to read.

Continued...

Sellstrom/RTC® Steel Beam SkyGirder™

Installation, Operating & Maintenance Instructions

6.0 Inspection

Continued

6.8 When the horizontal lifeline system has been subjected to an accidental fall, it must be removed from service immediately. A competent person must inspect the entire SkyGirder system, including anchorage beam, according to these instructions before putting back into use. Check especially to

ensure that the posts are straight, bolts are not bent, I-beam is straight, cables are not cut or frayed, and there is no deformation to any component of the system. If any parts are damaged and need replacement, contact SM/RTC.

7.0 Maintenance

The SkyGirder post system requires no scheduled maintenance. (Refer to section 8.0 for regular inspection information.) If the SkyGirder becomes heavily soiled, it may

be wiped clean with a cloth. A light lubricant may be applied to the threaded connections.

Store in a cool dry place.

8.0 Special Warnings

Never substitute parts of the SM/RTC SkyGirder or Horizontal lifeline system.

8.5 Never allow unauthorized parts to be used in or on the SkyGirder system.

8.1 Do not use this equipment in violations of any applicable company, state, or federal standard or requirement.

8.6 Never permit usage where a swing fall hazard may occur.

8.2 Never use a lanyard or other means to provide extra space between snatch block and self-retracting lanyard.

8.7 Anyone who has a history of back or neck problems that could be aggravated or complicated by using SM/RTC equipment should not do so. Pregnant women and minors should not use this equipment. If there is any reason why you may not be physically able to safely absorb the forces subjected in the event of a fall arrest, consult your doctor.

8.3 Remove Horizontal lifeline, self-retracting lanyards, and harnesses from service immediately after a fall.

8.4 Remove SkyGirder posts, brackets and tie back lines from service immediately after a fall. A qualified person must inspect the entire SkyGirder system, including anchorage beam, according to these instructions before putting back into use. If any parts are damaged and need replacement, contact SM/RTC.

If you have any questions or need additional explanation or clarification about the use of any SM/RTC equipment, call SM/RTC Customer Service at 800-323-7402 (U.S. and Canada) or 847-358-2000 in Illinois or outside the Continental United States.

Sellstrom/RTC® Steel Beam SkyGirder™

Installation, Operating & Maintenance Instructions

9.0 Safety Checklist

All operators and users of SM/RTC equipment MUST be able to answer "yes" to all of the following questions before installing or using any SM/RTC equipment:

- ✓ Has all equipment been assembled and installed according to SM/RTC instructions?
- ✓ Has all equipment been inspected and maintained in accordance with SM/RTC instructions?
- ✓ Has all equipment been visually inspected immediately before use and found to be in good condition and proper working order?
- ✓ Does the anchorage point meet SM/RTC requirements?
- ✓ Is the equipment being used in accordance with the maximum load capacities?
- ✓ Is the equipment suited for the intended work task, including travel to and from, and is it capable of providing continuous protection?
- ✓ Has each user been recently (within 6 months) trained in the proper and safe operation and use of the equipment?
- ✓ Do all users fully understand the instructions and agree to use the equipment in a safe manner?
- ✓ Is each person using this equipment in good health, and not under the influence of drugs or alcohol?
- ✓ Has SM/RTC been called (toll free) if you or any user does not know how to comply with these or any of the requirements of this instruction booklet?

Warning



Do not use SM/RTC equipment if you answer "NO" to any of the questions above!

Sellstrom/RTC® Steel Beam SkyGirder™

Installation, Operating & Maintenance Instructions

10.0 Inspection and Maintenance Log

Part Number:									
Inspector									
Date									
Inspection Items									
Posts									
Brackets									
Welded Joints									
Bolts									
I-beam									
Horizontal Lifeline									
Harnesses									
Fall Arrestors									
Labels									
Other									



