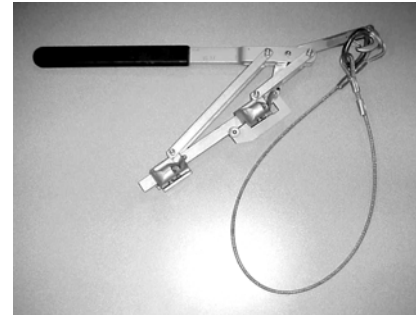


Sellstrom/RTC[®] Rescue Winch

Installation Operation and Maintenance Instructions

Instruction: INST-591
Effective: 5/2002
Expiration: 5/2012
Replaces: 11/86



- Mechanical retrieval device used with the SM/RTC steel cable Retractaloks[®] for vertical rescue of one individual. Attaches to the extended cable to raise a person after a fall has been arrested.
- No outside source of power is needed because the rescue winch is operated manually.
- Corrosion resistant zinc plated steel construction
- Conforms to ANSI A10.14, Z359.1, OSHA 1910.66, 1926.500

WARNINGS

Under Penalty of Law:

These instructions are not to be removed except by the user of this equipment. Current instructions must always be available to any potential user. Note: Because of continuous developments in the application and use of SM/RTC equipment and our desire to serve your best interests, these instructions are invalid 10 years after the effective date on these instructions. If you purchase a product, and these instructions are out of date, call SM/RTC Customer Service and request current instructions. Dial toll free (800) 323-7402 (U.S. and Canada) or (847) 358-2000.

If you have difficulty or experience any problem with SM/RTC equipment or the instructions, call the above toll-free number or (847) 358-2000 immediately and ask the Customer Service department for assistance.

Use this equipment as a part of a complete fall protection system. Inspect and maintain regularly.

You must read and fully understand or have the following instructions explained to you before using this equipment. Failure to do so could result in serious or fatal injury.

Atencion: Si usted no puede leer el ingles o si usted no comprende estas instrucciones, favor de consultar su director de seguridad o su supervisor.

Attention: Si vous ne pouvez pas lire l'anglais ou si vous ne comprenez pas les instructions, consultez votre directeur de securite ou votre superviseur.

Achtung: Wenn Sie nicht Englisch lesen können und diese Anweisungen nicht verstehen, dann fragen Sie bitte Ihren Sicherheitsdirektor oder Ihren Aufselher.

Attenzione: Se non leggiere l'inglese o non capite queste istruzioni, per favore rivolgete Vi al Vostro Direttore, responsabile della "Sicurezza sul Lavoro" o al Vostro diretto superiore.

You assume complete liability if you fail to follow these instructions and are injured. Use this equipment only as instructed.

Warning: All SM/RTC equipment should be as part of a complete SM/RTC fall protection or emergency rescue system. If the buyer or user chooses to disregard this warning, he is solely responsible for the safety of the entire system and all users.

Before replacing or adding components to a fall protection or emergency escape system, consult the original manufacturer. Federal OSHA states that any unauthorized substitution or change to a system by the buyer should be fully evaluated or tested by a qualified person before the new system is put into use (see OSHA 1926.500).

All potential users of this equipment and user's management must read and understand all instructions fully; failure to do so could result in serious or fatal injury.

No fall arrest system can guarantee that you will not sustain injuries if a fall occurs. The most you can expect is that injuries will be substantially reduced. Improper use of this equipment will vastly increase your chances of serious injury or death because misuse builds false security. To achieve the maximum level of safety that this equipment is capable of providing, all instructions must be followed diligently. This means careful planning of your application and work method.

Sellstrom Manufacturing Co.
One Sellstrom Drive
Palatine, IL 60067
Phone 800.323.7402
Fax 847.358.8564

Sellstrom/RTC[®] Rescue Winch

Installation Operation and Maintenance Instructions

Complete System Components

A complete fall protection system consists of the following components that are arranged to fit the specific work task and control the elevated fall hazard(s):

- Anchorage

An anchorage is a secure means of attachment to which the personal fall arrest system is connected. (ANSI Z359.1)

- Body Support

A body support is the component of a personal fall protection system that is worn on or around the body. Full body harnesses must be used for all fall arrest systems.

- Connecting Means

A connecting means is the link between the body support and anchorage. It can be a shock-absorbing lanyard, rope grab, self-retracting lanyard or retrieval system. Connecting means will vary depending on the application.

The user must also have a rescue plan and the means at hand to implement it in the event of a fall.

Note: For continuous protection, more than one system may be needed.

Warning! No other applications or methods of use are allowed without prior written approval. Failure to comply with these guidelines may result in serious injury or death.

1.0 Application

The Sellstrom/RTC (SM/RTC) Rescue Winch is a mechanical retrieval device designed to be used with SM/RTC self-retracting cable lanyards (up to 50 ft.) for the vertical rescue of one person. The rescue winch should hang over the retracting lifeline for immediate access by a standby person. During an emergency, the rescue winch can be quickly attached to the cable allowing the retrieval process to begin immediately.

Note: Applications that are greater than 50 ft. vertical depth may not be suitable for the rescue winch because of the length of retrieval time.

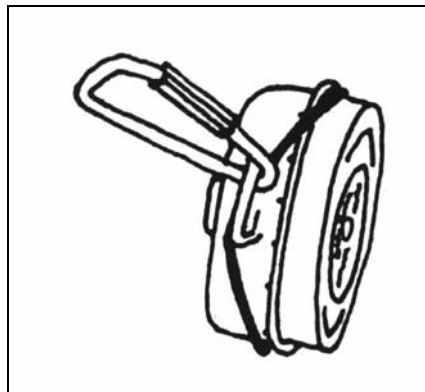
The rescue winch is designed for emergency use only along with the Retractalok[®] and a full body harness. The full body harness helps keep the body in an upright position for retrieval through the space and opening. Always check to make sure a victim can be brought out through the intended opening without injury. Reasonable training usage is also permitted (see Training).

2.0 Operating Characteristics

The rescue winch operates by the winch jaws alternatively gripping and releasing the cable within the cable guide. The victim is lifted vertically on the upstroke and down stroke of the winch handle. A kicker bar (see figure 1) helps to ensure that the top jaw releases the cable smoothly. The rescue winch has a mechanical advantage of 4:1 and a retrieval rate of approximately 20 ft./min. The winch is designed to lift 310 lb. (one individual).

3.0 Installation

3.1 Attachment to the Retractalok: Attach the rescue winch by threading the winch cable through the handle of the Retractalok and securing the swaged eye back into the winch hook. The cable should be wrapped around opposite sides of the unit to properly align the winch (see illustration below).



Sellstrom Manufacturing Co.
One Sellstrom Drive
Palatine, IL 60067
Phone 800.323.7402
Fax 847.358.8564

Sellstrom/RTC[®] Rescue Winch

Installation Operation and Maintenance Instructions

4.0 Operation

4.1 For Retrieval:

4.1.2 Press down on upper jaw (4) of winch and insert cable in upper cable guide (3).

4.1.3 Press down on lower jaw (5) of winch and insert cable in lower cable guide (6).

4.1.4 Pump handle (7) to raise the worker at approximately 20 ft./min. You must take a full downward stroke to engage the kicker bar (8). The kicker bar is designed to help release the top jaw. If cable becomes “jammed” in the top jaw and kinks, you must take a full downward stroke; your next upward stroke will release the top jaw.

4.2 To Lower: Although the winch is not designed to lower personnel, it is possible to lower a victim a short distance if they have become snagged during retrieval.

4.2.1 The kicker bar must not be engaged during the stroke. The winch will have to be operated using half strokes. If the kicker bar were engaged it could result in a fall. However, the Retractalok would arrest this fall.

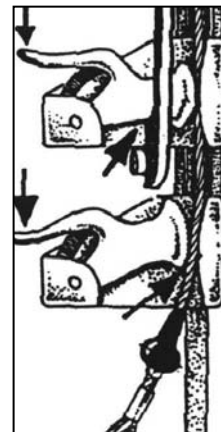
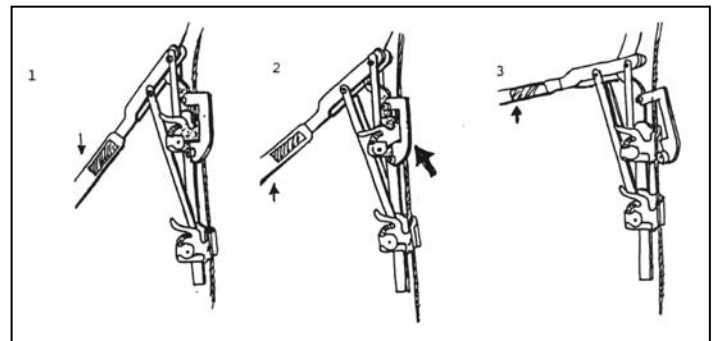
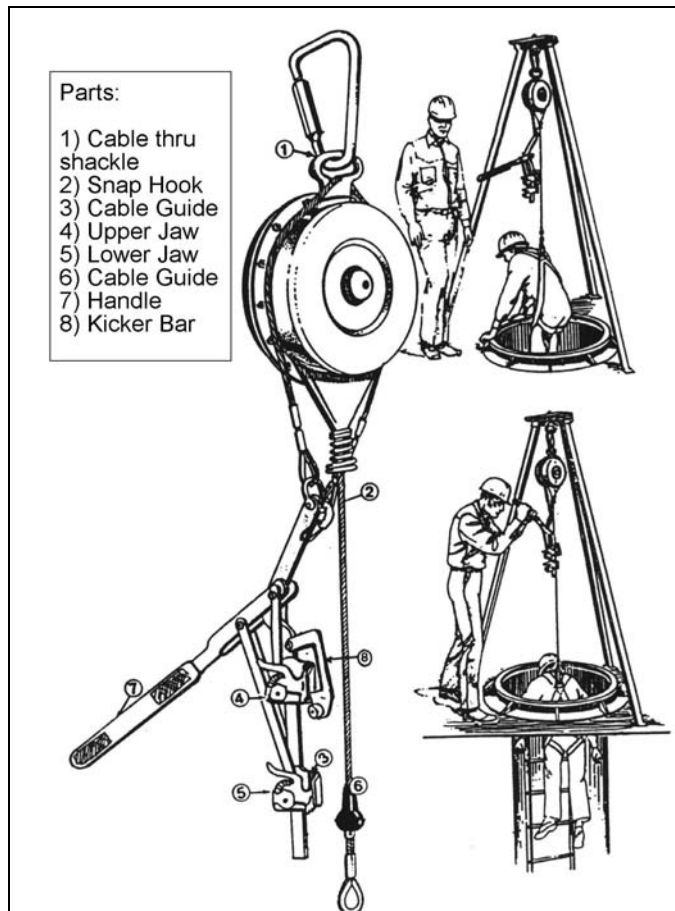
4.2.2 Release lower jaw by pressing down (5) while the upper jaw supports the individual.

4.2.3 Take a half stroke and allow the lower jaw to grip the cable and support the load.

4.2.4 Release upper jaw (4).

4.2.5 Take a half stroke.

4.2.6 Repeat the process until the victim is lowered and free from the obstruction. Begin retrieval immediately.



Sellstrom Manufacturing Co.
One Sellstrom Drive
Palatine, IL 60067
Phone 800.323.7402
Fax 847.358.8564

Sellstrom/RTC® Rescue Winch

Installation Operation and Maintenance Instructions

5.0 Inspection

The user must inspect all equipment visually before each use. We suggest a formal inspection at least every six months by a competent person other than the user. We list this time interval because it is the most stringent of all the national consensus standards for fall protection:

- *ANSI A10.14, American National Standard for Constructions and Demolition Operations - Requirements For Safety Belts, Harnesses, Lanyards and Lifelines for Construction And Demolition Use* requires a formal inspection by a competent person every six months.
- *ANSI Z359.1* requires inspection by a Competent Person once every year.
- *OSHA 1910.66 and 1926.500* requires no formal inspection period; only inspection by the user before each use.

Because ANSI A10.14 is a national consensus standard, and compliance is not required by law, your company has the discretion to determine if the standard is applicable to your workplace. If you find any defective conditions, remove the item from service immediately, replace it, and contact SM/RTC for advice. Failure to remove damaged or questionable equipment could lead to serious or fatal injury.

- 5.1 Inspect all parts of the winch for cracks, dents, distortion and burrs.
- 5.2 The support cable should be checked for fraying, cuts and kinks. Swages should be tight and eye thimbles secure.
- 5.3 Check the cable guides and locking jaws for wear.
- 5.4 All nuts should be secure.
- 5.5 The winch should operate smoothly and the kicker bar should engage at the bottom of the down stroke, then release the upper jaw when the handle is raised.
- 5.6 Labels: Check to see that labels are intact and legible. If the system passes inspection, mark the inspection date on the inspection grid.
- 5.7.7 Additional Equipment: Inspect all fall protection equipment used with the system as directed in the instructions for each piece of equipment.

6.0 Maintenance

- 6.1 Personal protection equipment should be maintained regularly to help make sure that the equipment will operate properly when needed. Failure to maintain and store equipment carefully can result in poor operation that could lead to serious or fatal injury.
- 6.2 All equipment should be part of a periodic maintenance program that includes detailed records of inspection and maintenance. An inspection every month is suggested or more frequently if the equipment is heavily used.
- 6.3 Never make any adjustments or repairs to or substitute any parts of the SM/RTC system. Call SM/RTC Customer Service for advice. You must return the unit for factory inspection and maintenance within two years of manufacture date and every two years thereafter.
- 6.4 Cleaning: Steel components should be wiped down to remove grease, mud, sand, or other potentially harmful debris. Spray sliding bar with a dry lubricant regularly.
- 6.5 Storage: The rescue winch should be stored with the other components of the confined entry system. It should be kept out of the weather and in a manner to prevent damage from bending, crushing or breaking.

7.0 Training Guidelines

All training must be conducted under careful and competent supervision. Live hands-on training for all users is essential to help understand the capabilities and limitations of their personal protective equipment. Training also helps promote confidence and should be conducted as an initial introduction, as well as periodically for review and additional practice. Also, this instruction booklet should be stored where users can easily review it whenever necessary. Training should be site specific.

8.0 Warnings

Failure to observe the warnings below, follow all instructions in this booklet, or seek qualified assistance when needed can lead to serious or fatal injury.

- 8.1 Do not exceed maximum weight capacity of 310 lb., including tools.
- 8.2 Never substitute parts of the SM/RTC rescue winch.
- 8.3 Do not use this equipment in violation of any applicable company, state, or federal standard or requirement.
- 8.4 All users must be in good mental and physical health and not under the influence of drugs or alcohol.
- 8.5 To achieve the maximum level of safety possible with this system, all instructions must be followed carefully and fully. You must plan the use of safety equipment before the job begins. Regularly inspect and maintain the system.
- 8.6 Anyone who has a history of back or neck problems that could be aggravated or complicated by using fall protection equipment should not do so. Pregnant women and minors should not use this equipment. If there is any reason why you may not be physically able to safely absorb the forces subjected in the event of a fall arrest, consult your doctor.

9.0 Questions

If you have any question or need additional explanation or clarification about the use of any SM/RTC equipment, call SM/RTC customer service toll-free 800-323-7402 (U.S. and Canada) or 847-358-2000 in Illinois or outside the Continental United States.

Sellstrom Manufacturing Co.
One Sellstrom Drive
Palatine, IL 60067
Phone 800.323.7402
Fax 847.358.8564