

Sellstrom/RTC™ Anchor Sling

Installation, Operating & Maintenance Instructions

SM/RTC Anchor Sling

Thank you for purchasing a Sellstrom/RTC (SM/RTC) Anchor Sling. SM/RTC Anchor Slings are made of chemical resistant polyester. These Anchor Slings meet the 5,000 lb. strength requirements of ANSI and OSHA.



WARNINGS



To the Receiver, Contractor, Store Manager, Safety Director, Supervisor, Buyer, or anyone except the ultimate equipment users:

Under Penalty of Law

These instructions are not to be removed except by the user of this equipment. Current instructions must always be available to any potential user. Note: Because of continuous developments in the application and use of SM/RTC equipment and our desire to serve your best interests, these instructions are invalid 10 years after the effective date on these instructions.

If you purchase a product, and these instructions are out of date, call SM/RTC customer service and request current instructions. Dial toll free (800)323-7402 (U.S. and Canada) or (847)358-2000.

If you have difficulty or experience any problem with SM/RTC equipment or the instructions, call the above toll-free number or (847)358-2000 immediately and ask the customer service department for assistance.

It is the responsibility of the user's management to review these instructions periodically, and to ensure compliance with every requirement to maintain the system's designed integrity. The equipment purchased is designed to be used as a part of a complete fall protection system and is to be inspected and maintained regularly.

You assume complete liability if you fail to follow these instructions and are injured. Your worker's Compensation Benefits may be reduced because of your failure to use safety devices correctly.

A "no" answer to any question in the Safety Checklist on the back page of these instructions, either before or during product use, is an unsafe use of this equipment. Use this equipment only as instructed.

Warning: All SM/RTC equipment should be used as part of a complete SM/RTC fall protection or emergency rescue system. If the buyer or user chooses to disregard this warning, he is solely responsible for the safety of the entire system and all users.

Sellstrom/RTC™ Anchor Sling

Installation, Operating & Maintenance Instructions

WARNINGS



To the Equipment User:
You must read and fully understand or have the following instructions explained to you before using this equipment. Failure to do so could result in serious or fatal injury.

Atencion: Si usted no puede leer el ingles o si usted no comprende estas instrucciones, favor de consultar su director de seguridad o su supervisor.

Attention: Si vous ne pouvez pas lire l'anglais ou si vous ne comprenez pas les instructions, consultez votre directeur de securite ou votre superviseur.

Achtung: Wenn Sie nicht Englisch lesen können und diese Anweisungen nicht verstehen, dann fragen Sie bitte Ihren Sicherheitsdirektor oder Ihren Aufseher.

Attenzione: Se non legghiere l'inglese o non capite queste istruzioni, per favore rivolgete Vi al Vostro Direttore, responsabile della "Sicurezza sul Lavoro" o al Vostro diretto superiore.

It is not unusual for lanyards, lifelines, harnesses, or other fall protection equipment to become misplaced or rendered unusable at different times. Before replacing or adding components to a fall protection or emergency escape system, consult the original manufacturer. Federal OSHA further states that any unauthorized substitution or change to a system by the buyer should be fully evaluated or tested by a qualified person before the new system is put into use (see OSHA 1926.500).

All potential users of this equipment and user's management must read and understand all instructions fully; failure to do so could result

in serious or fatal injury.

No fall arrest system can guarantee that you will not sustain injuries if a fall occurs. The most you can expect is that injuries will be substantially reduced. What you can be sure of is that improper use of this equipment will vastly increase your chances of serious injury or death because misuse builds false security. To achieve the maximum level of safety that this equipment is capable of providing, all instructions must be followed diligently. This means careful planning of your application and work method.

Complete System Components

A complete fall protection system consists of the following components that are arranged to fit the specific work task and control the elevated fall hazard(s):

- **Anchorage Point:**
Supplied by customer as specified in the appropriate instruction booklet for each device (SM/RTC tripods and davits not included).
- **Body Support:**
Request SM/RTC instruction #569 for SM/RTC full body harnesses.
- **Connecting Means:**
Request the accompanying instruction booklet for each device or #567 for lanyards.

• Connecting Links:

For installation or attachment of an SM/RTC system, locking snap hooks or carabiners, request SM/RTC instruction #574.

• Rescue Plan:

The user must have a rescue plan and the means at hand to implement it in the event of a fall.

Warning



Note: For continuous protection, more than one system may be needed.

No Other Applications or Methods of Use Are Allowed Without Prior Written Approval.

Sellstrom/RTC™ Anchor Sling

Installation, Operating & Maintenance Instructions

Table of Contents	Section	Page	Section	Page
	1.0 Approved Applications	3	5.0 Inspection	5-6
	2.0 Anchor Strength	3	6.0 Maintenance	6
	3.0 Operating Instructions	4	7.0 Warnings	6
	4.0 Training	4	8.0 Definitions	7
			9.0 Safety Check List	7

1.0 Approved Applications

The SM/RTC 6000 series Anchor Slings may be used for the attachment of SM/RTC fall protection equipment to available anchor points.

The anchor point must meet the requirements of section 3.0. The maximum working load is 6,000 lb.

2.0 Anchor Strength

2.1 For General Fall Protection Equipment

All anchorage points must be capable of supporting a minimum of 3,600 lb. when certification exists, or 5,000 lb. in the absence of certification. (See ANSI Z359.1 for definition of certification.) When more than one personal fall arrest system is attached to an anchorage, the anchorage's strengths above shall be multiplied by the number of personal fall arrest systems attached to the anchorage. This requirement is consistent with OSHA requirements as follows; Anchorages used for attachment of personal fall arrest systems shall be independent of any anchorage being used to support or suspend platforms and capable of supporting at least 5,000 lb. per user attached, or be designed, installed and used as part of a complete PFAS which maintains a safety factor of at least two and is supervised by a qualified person.

2.2 For Temporary Horizontal Lifelines

The anchor point strength must meet the requirements listed in the instructions for the equipment that is being used. This may be more than 5,000 lb. Anchor Slings may be used to connect temporary horizontal lifelines to anchor points if the anchor point strength required for the system is 6,000 lb. or less.

Warning

If you fall, remove the equipment from service and immediately report what happened to your supervisor or the safety department. The entire system, including the anchorage point, must be checked by a qualified person to make sure it will provide the proper protection for the next person who might fall.

If a fall has occurred, remove the Anchor Sling from service and destroy.



Sellstrom/RTC™ Anchor Sling

Installation, Operating & Maintenance Instructions

3.0 Operating Instructions

Inspect the Anchor Sling as instructed in section 5.0 before each use. Always protect anchor slings from sharp edges.

3.1 Wrap Style Anchor Sling

Wrap Sling around anchor point. Connect appropriate fall protection equipment through D-rings.

3.2 Choker Style Anchor Sling

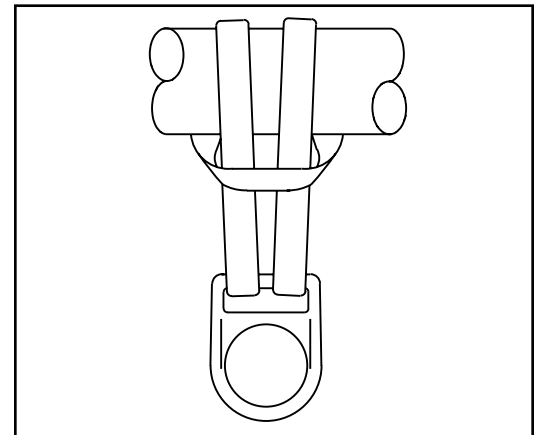
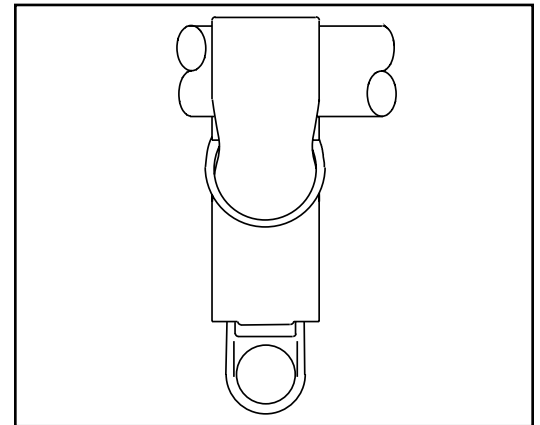
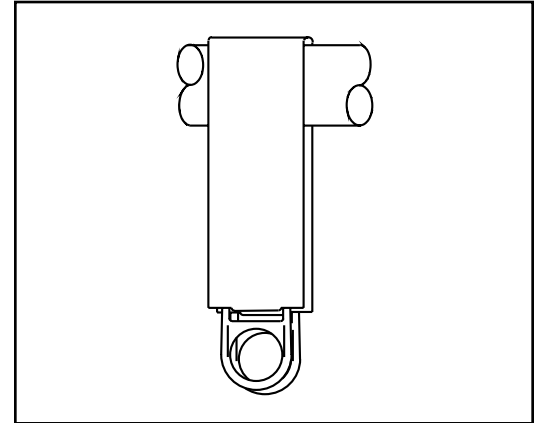
Wrap Sling around anchor. Insert small D-ring through large D-ring and pull taut. Connect appropriate fall protection equipment to the small D-ring.

3.3 Loop/Choker Style Anchor Slings

Wrap Sling around anchor. Insert D-ring through webbing and pull taut. Connect appropriate fall protection equipment to the D-ring.

3.4 For Use with Temporary Horizontal Lifelines

Anchor Slings may be used to connect temporary horizontal lifelines to anchor points if the anchor point strength required for the system is 6,000 lb. or less. When using a temporary horizontal lifeline with an anchor sling on a vertical column, a support should be used to prevent the sling from sliding down the column.



4.0 Training

All training must be conducted under careful and competent supervision. Live, hands-on training for all users is essential to help understand the capabilities and limitations of their personal protective equipment.

Sellstrom/RTC™ Anchor Sling

Installation, Operating & Maintenance Instructions

5.0 Inspection

Warning



Failure to remove equipment that has been damaged or where its condition is questionable, could lead to serious or fatal injury. Call SM/RTC Customer Service for replacement information.

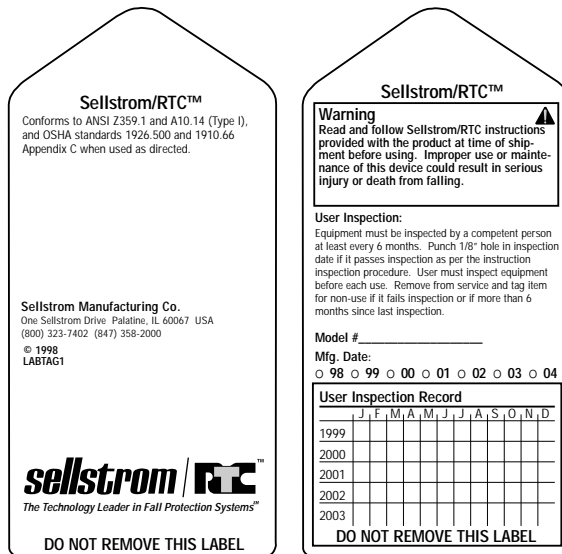
5.1 All equipment must be inspected visually before each use and at least twice annually by a

competent person. If damage is found or you have questions about the equipment's condition, remove the item from service immediately. Tag the item for non-use, and replace it. If exposed to harmful UV rays, the Anchor Sling should be discarded because of degradation, even if it has not been used.

5.2 A detailed record of inspection dates and times should be maintained. An inspection grid is provided on the Anchor Sling to record inspection dates.

5.3 Inspect label: The label should be secure and easy to read. Contact SM/RTC for replacement advice.

5.4 Webbing: The entire length of webbing should be inspected for tears, cuts, fraying or other signs of wear and damage. Sewn terminations should be secure, complete and not visibly damaged. Begin at one end and bend a portion (6–8 inches) into a U-shape between your hands. Check both sides and all straps along the entire length of the sling. Discard any webbing with noticeable cuts or severe abrasions. Detailed examples of visual signs of harmful exposure are summarized in Table 1.



Front

Back

Type of Webbing	Heat	Chemicals	Flame or Molten Metal	Paint and Solvents	Dirt and Grit
Polyester	Fibers become brittle and will shrivel and turn brown in color and break when flexed; should not be used above 180°F.	Fibers change color and texture similar to a brownish smudge or smear, or will become less elastic with transverse cracks resulting from bending.	Fiber strands fuse together, become hard, brittle and shiny in appearance.	Paint can penetrate into the weave and dry causing the webbing to become hard, brittle and eventually break the fibers. Solvents and drying agents within paint cause damage similar to chemical exposure.	Particles work into the weave and can cut and fray fibers.

Sellstrom/RTC™ Anchor Sling

Installation, Operating & Maintenance Instructions

5.0 Inspection Cont.

5.5 Paint and Chemicals: All synthetic material Anchor Slings that are subject to paint or solvent over-spray must be replaced on a regular preventive maintenance schedule. Carefully inspect for visible signs of damage; see Table 1.

5.6 Check for rough or sharp edges, corrosion, burrs, cracks, dents, or distortion.

5.7 Check to assure anchor sling is of appropriate length to completely close around anchor point.

Warning



If you fall, remove the equipment from service and immediately report what happened to your supervisor or the safety department. The entire system, including the anchorage point, must be checked by a qualified person to make sure it will provide the proper protection for the next person who might fall.

If a fall has occurred, remove the Anchor Sling from service and destroy.

6.0 Maintenance

6.1 Personal protective equipment should be maintained regularly to help make sure that the equipment will operate properly when needed. Failure to maintain and store equipment carefully can result in poor operation that could lead to serious or fatal injury.

6.2 All equipment should be part of a periodic maintenance program, including detailed records. A minimum of every six months is required or more often if the equipment is heavily used. Never make any adjustments or repairs to or substitute any parts of an SM/RTC system; call SM/RTC Customer Service at 1-800-323-7402 or 1-847-358-2000 (outside continental US) for advice.

6.3 Cleaning: Anchor Slings can be washed with soap or a mild detergent using a brisk back and forth motion. Then, they must be thoroughly rinsed with clear water and hung up to dry in a cool place out of the sun and away from exposure to heat and steam.

6.4 Storage: Anchor Slings should be stored in a clean, dry area free from exposure to harmful fumes, or corrosive agents.

6.5 Equipment instructions also should be stored where all users can quickly find them when needed.

7.0 Warnings

Warning



Anyone who has a history of back or neck problems that could be aggravated or complicated by using SM/RTC equipment should not do so. Pregnant women or minors should not use this equipment. If there is any reason why you may not be physically able to safely absorb the forces subjected in the event of a fall arrest, consult your doctor.

Always check for obstructions below your work area to make sure your potential fall path is clear. Work directly under your anchorage/attachment point because swing falls can result in serious or fatal injury.

Never use harnesses, lanyards, webbing, snaphooks, or other fall protection equipment for any other use except personal fall protection as detailed in SM/RTC instructions.

Use extreme caution when working near an energized source. No material is completely dielectric. Maintain a safe working distance from electrical hazards.

Sellstrom/RTC™ Anchor Sling

Installation, Operating & Maintenance Instructions

8.0 Definitions

8.1 Anchorage: A secure point of attachment for lifelines, lanyards, or deceleration devices that is independent of supporting or suspending the employees. (OSHA 1910.66 Appendix C and 1926.500).

8.2 Competent Person: A person who is capable of identifying hazardous or dangerous conditions in the personal fall arrest system or any component thereof, as well as in their application and use with related equipment. (OSHA 1910.66 Appendix C)

8.3 Free Fall: The act of falling before personal fall arrest system begins to apply force to arrest the fall. (OSHA 1910.66 Appendix C and 1926.500).

8.4 Personal Fall Arrest System: An assembly of components and subsystems used to arrest a person in a fall from a working height. (ANSI Z359.1-1992)

8.5 Qualified Person: One with a recognized degree, or professional certificate and extensive knowledge and experience in the subject field who is capable of design, analysis, evaluation and specifications in the subject work, project, or product. (OSHA 1910.66 Appendix C)

9.0 Safety Checklist

Warning



All operators and users of SM/RTC equipment MUST be able to answer "yes" to all of the following questions before installing or using any SM/RTC equipment.

- ✓ Has all equipment been assembled and installed according to SM/RTC instructions?
- ✓ Has all equipment been inspected and maintained in accordance with SM/RTC instructions?
- ✓ Does the anchorage point meet SM/RTC and OSHA requirements?
- ✓ Is the equipment suited for the intended work task, and is it capable of providing continuous protection?
- ✓ Has each user received training — when hired or within the last 6 months — in the proper and safe operation and use of the equipment?

✓ Do all users fully understand the instructions and agree to use the equipment in a safe manner?

✓ Has SM/RTC been called if you or any user does not know how to comply with these instructions?

Do not use SM/RTC equipment if you answer "NO" to any of the questions above!