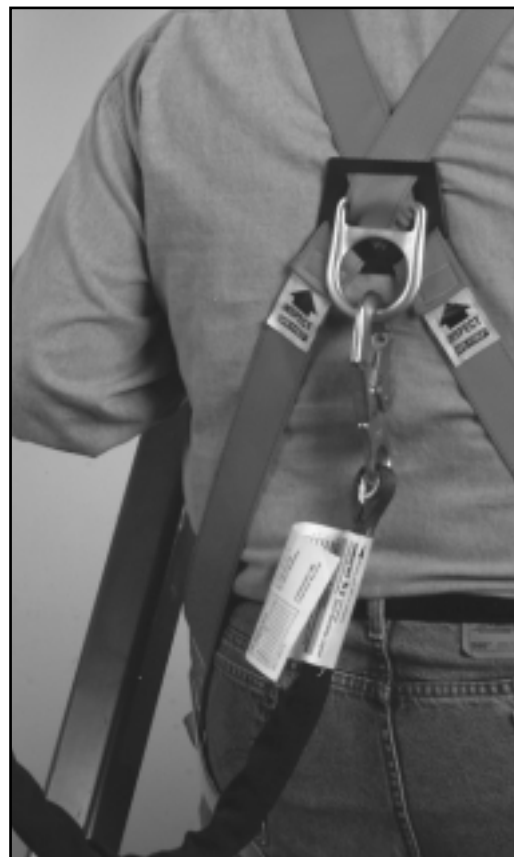


Sellstrom/RTC® Snaphooks & Carabiners

Installation, Operating & Maintenance Instructions

Features & Attributes

- Meet ANSI Z359.1-1992
- Meet OSHA requirements
- Double Locking
- 100% Proof Loaded to 3,600 lb.
- Comfortable Operation



WARNINGS



**To the Receiver,
Contractor, Store
Manager, Safety
Director, Supervisor,
Buyer, or anyone
except the ultimate
equipment users:**

Under Penalty of Law

These instructions are not to be removed except by the user of this equipment. Current instructions must always be available to any potential user. Note: Because of continuous developments in the application and use of SM/RTC equipment and our desire to serve your best interests, these instructions are invalid 10 years after the effective date on these instructions. If these instructions are out of date, call SM/RTC customer service and request current instructions.

If you have difficulty or experience any problem with SM/RTC equipment or the instructions, call SM/RTC immediately and ask the customer service department for assistance.

It is the responsibility of the user's management to review these instructions periodically, and to ensure compliance with every requirement to maintain the system's integrity. The equipment purchased is designed to be used as a part of a complete fall protection or emergency rescue system and is to be inspected and maintained regularly.

WARNINGS Continued...

Sellstrom/RTC® Snaphooks & Carabiners

Installation, Operating & Maintenance Instructions

WARNINGS



To the Equipment User:
You must read and fully understand or have the following instructions explained to you before using this equipment. Failure to do so could result in serious or fatal injury.

Atencion: Si usted no puede leer el ingles o si usted no comprende estas instrucciones, favor de consultar su director de seguridad o su supervisor.

Attention: Si vous ne pouvez pas lire l'anglais ou si vous ne comprenez pas les instructions, consultez votre directeur de securite ou votre superviseur.

Achtung: Wenn Sie nicht Englisch lesen können und diese Anweisungen nicht verstehen, dann fragen Sie bitte Ihren Sicherheitsdirektor oder Ihren Aufselher.

Attenzione: Se non leggiere l'inglese o non capite queste istruzioni, per favore rivolgete Vi al Vostro Direttore, responsabile della "Sicurezza sul Lavoro" o al Vostro diretto superiore.

You assume complete liability if you fail to follow these instructions and are injured. Your worker's Compensation Benefits may be reduced because of your failure to use safety devices correctly.

A "no" answer to any question in the Safety Checklist on the back page of these instructions, either before or during product use, is an unsafe use of this equipment. Use this equipment only as instructed.

Warning: All SM/RTC equipment should be as part of a complete SM/RTC fall protection or emergency rescue system. If the buyer or user chooses to disregard this warning, he is solely responsible for the safety of the entire system and all users.

It is not unusual for lanyards, lifelines, harnesses, or other fall protection equipment to become misplaced or rendered unusable at different times. Before replacing or adding components to a fall protection or emergency escape system, consult the original manufacturer. Federal OSHA further states that any unauthorized substitution or

change to a system by the buyer should be fully evaluated or tested by a qualified person before the new system is put into use (see OSHA 1926.500).

All potential users of this equipment and user's management must read and understand all instructions fully; failure to do so could result in serious or fatal injury.

No fall arrest system can guarantee that you will not sustain injuries if a fall occurs. The most you can expect is that injuries will be substantially reduced. What you can be sure of is that improper use of this equipment will vastly increase your chances of serious injury or death because misuse builds false security. To achieve the maximum level of safety that this equipment is capable of providing, all instructions must be followed diligently. This means careful planning of your application and work method.

Sellstrom/RTC® Snaphooks & Carabiners

Installation, Operating & Maintenance Instructions

Complete System Components

A complete fall protection system consists of the following components that are arranged to fit the specific work task and control the elevated fall hazard(s):

- **Anchorage Point:**
Supplied by customer as specified in the appropriate instruction booklet for each device (SM/RTC tripods and davits not included).
- **Body Support:**
Request SM/RTC instruction #569 for SM/RTC full body harnesses.
- **Connecting Means:**
Request the accompanying instruction booklet for each device or #567 for lanyards.
- **Connecting Links:**
For installation or attachment of an SM/RTC system. Locking snap hooks or carabiners,

request SM/RTC instruction #574.

- **Rescue Plan:**
The user must have a rescue plan and the means at hand to implement it in the event of a fall.

Note: For continuous protection, more than one system may be needed.

Warning



No Other Applications or Methods of Use Are Allowed Without Prior Written Approval.

Sellstrom/RTC® Snaphooks & Carabiners

Installation, Operating & Maintenance Instructions

Table of Contents	Section	Page	Section	Page
	1.0	4	5.0	7
	2.0	5	6.0	7
	3.0	5,6	7.0	8
	4.0	7	Safety Checklist	9
	Approved Applications	4	Inspection	7
	Operating Characteristics	5	Maintenance	7
	Standard Models	5,6	Special Warnings	8
	Performance Data	7	Safety Checklist	9

1.0 Approved Application

SM/RTC Double-locking snaphooks and carabiners reduce the possibility of accidental disengagement during a fall. (See Figure 1, p. 7). OSHA requires that snaphooks used for fall protection be double locking. (1926.500(b)(2)).

1.1 For attachment to a D-ring on an SM/RTC harness or lanyard, use the snaphook or carabiner that is provided with the appropriate fall arrest device.

Note: Do not attach large 9180- snaphook to any D-ring.

1.2 For attachment of an SM/RTC 2704 series Retractalok to anchorage use: 9108- or 9111- carabiners.

1.3 For attachment of an SM/RTC 2706 series Retractalok to anchorage use: 9108 carabiner

1.4 For any other application consult the instructions provided with the fall protection equipment.

1.5 Concerns for proper usage are as follows:

Anchorage Point Location: In order to limit a worker's free fall, and help prevent dangerous swing fall injuries, anchorage points must be located at least D-ring high and preferably over head.

Anchorage Point Strength: All anchorage points must be capable of supporting a minimum of 3,600 lbs. when certification exists,

or 5,000 lbs. in the absence of certification. (See ANSI Z359.1 for definition of certification.) When more than one personal fall arrest system is attached to an anchorage, the anchorage's strengths above shall be multiplied by the number of personal fall arrest systems attached to the anchorage. This requirement is consistent with OSHA requirements as follows; Anchorages used for attachment of personal fall arrest systems shall be independent of any anchorage being used to support or suspend platforms and capable of supporting at least 5,000 lbs. per user attached, or be designed, installed and used as part of a complete PFAS which maintains a safety factor of at least two and is supervised by a qualified person.

Carabiners are designed for limited use, such as semi-permanent attachment to anchorage points, harnesses, and when recommended.

Snaphooks or carabiners should never be attached to each other because this can promote roll-out, burst -out, or accidental disengagement.

Warning

No other applications or methods of use are allowed without prior written approval from an SM/RTC Officer.



Sellstrom/RTC® Snaphooks & Carabiners

Installation, Operating & Maintenance Instructions

2.0 Operating Characteristics

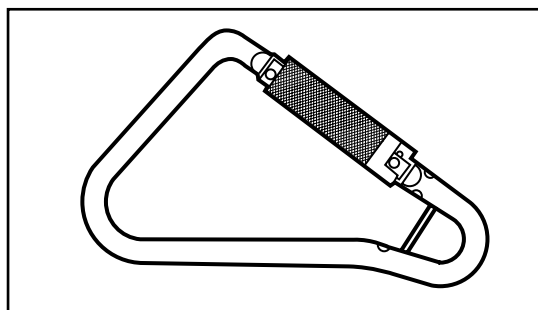
2.1 SM/RTC carabiners are double locking through an automatic twist-lock to help reduce the chance of accidental disengagement (roll-out or burst-out). The gate is opened by rotating the twist-lock and depressing the gate toward the carabiner body. The twist lock will automatically return upon release. (9111-, 9108-)

2.2 SM/RTC double-locking snaphooks help reduce the chance of accidental disengagement (roll-out or burst-out). These hooks are opened by depressing the gate keeper along the back of the hook then depressing the gate toward the hook body. (9125-, 9124-, 9127-, 9180-)

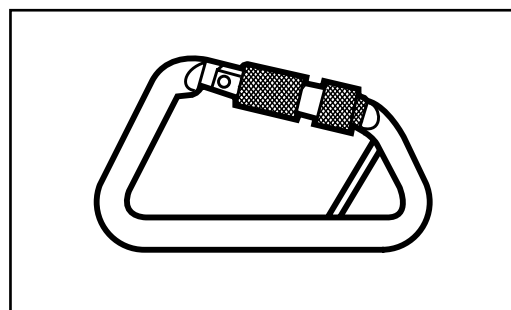
2.3 Important: Do not rely on the feel and sound of a snaphook when engaging it; check visually to ensure that the gate and gate keeper (if applicable) are completely and securely closed prior to beginning work operations or being exposed to a fall hazard.

3.0 Standard Models

3.1 9108-A Forged steel carabiner, 2" opening. Used for connection of 2706 series Retractalok®s to anchor points and other applications.



3.2 9111-A Forged steel carabiner, 5/8" opening. Used for connection of 2704 series Retractalok®s to anchor point and other applications.



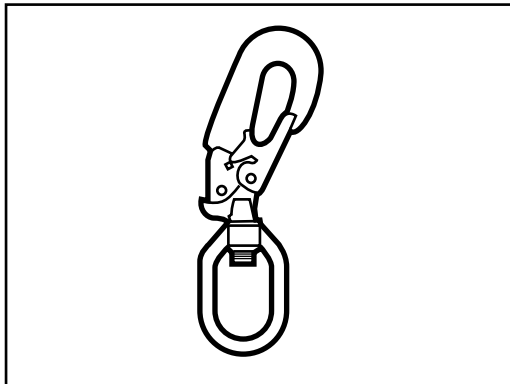
Continued...

Sellstrom/RTC® Snaphooks & Carabiners

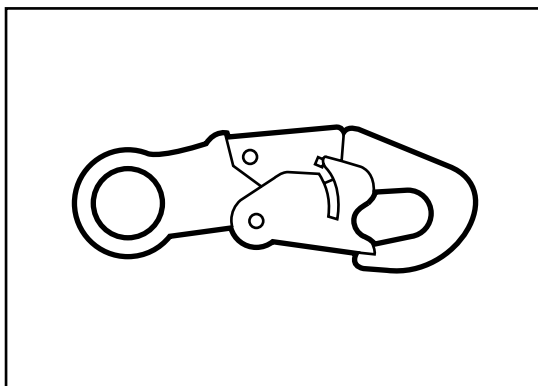
Installation, Operating & Maintenance Instructions

3.0 Standard Models Continued

3.3 9124- Forged steel snaphook with swivel, 3/4" opening. Used for self retracting lifelines and other applications.

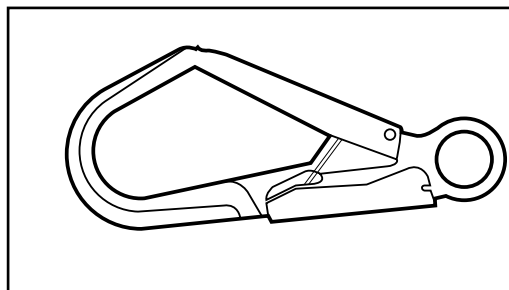


3.4 9125- Forged steel snaphook, 3/4" opening. Used for lanyards and other fall protection equipment.



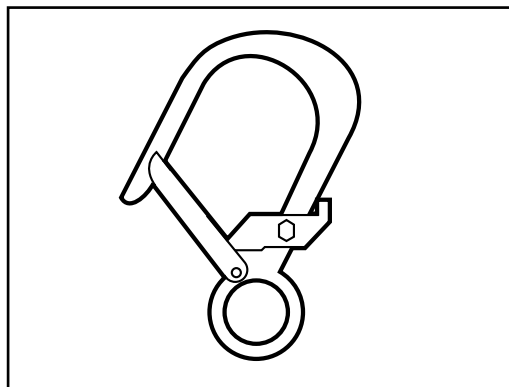
3.5 9180- Forged steel snaphook, 2.5" opening. Used for attachment of lanyards to anchor points.

Never connect to D-ring!



3.6 9127- Forged steel snaphook, 1 3/16" opening. Used for attachment of lanyards to anchor points.

Never connect to D-ring!



Sellstrom/RTC® Snaphooks & Carabiners

Installation, Operating & Maintenance Instructions

4.0 Performance Data All snaphooks and carabiners meet ANSI standards for proof loading, static tensile strength, gate compression strength, and side bending strength.

5.0 Inspection

Inspect all equipment visually before each use and at least twice annually by a competent person. If defective conditions are found as described below, remove the item from service immediately and replace it. If conditions are found that are not included below, remove the item from service, replace it and contact SM/RTC for advice.

5.1 Snaphook or Carabiner Body: All snaphooks and carabiners must operate smoothly and open and close completely. Check snaphook or carabiner body for sharp edges, burrs, distortion, abrasion, cracks, corroded or pitted surfaces.

5.2 Rivets: Should be checked for cracks, broken, loose, or bent conditions.

5.3 Gate: Should be free of distortion, binding, and seat properly against the snaphook or carabiner nose and body when released. Check that gate does not open without depressing the gate keeper toward the back of the snaphook or carabiner body.

The gate and gate keeper spring should be sufficient to completely and firmly close the gate. Carabiners should freely rotate into the locked position when released.

Important: If a snaphook or carabiner has been subjected to impact loading of any magnitude it must be removed from service immediately and replaced. If there is any doubt as to whether the system has been subjected to such a force, it should be removed from service. Replace it and contact SM/RTC for advice.

Note: In outdoor applications, hooks may become sluggish in their opening and closing mechanism over a period of time due to corrosion. Each snaphook and carabiner must be inspected regularly and promptly removed from service when they do not function in "as-new" condition.

6.0 Maintenance

Dirty hooks must be washed in mild solvent and lubricated frequently and when necessary to keep the snaphook operating properly. Choose a suitable lubricant that will not attract dirt and grit.

Sellstrom/RTC® Snaphooks & Carabiners

Installation, Operating & Maintenance Instructions

7.0 Special Warnings

Warning



Snaphooks and carabiners must be removed from service, destroyed and replaced if they are found to be bent, distorted, corroded or if the keeper will not operate in "as-new" condition (open, close and lock completely).

Although double locking snaphooks and carabiners reduce the possibility of roll-out, roll-out may still occur if an inappropriate connection is chosen.

Never attach snaphooks or carabiners together because they can uncouple, resulting in severe injury or death.

Never attach a snaphook or carabiner to incompatible hardware such that it may be possible to accidentally disengage the hook by twisting. See Figure 1.

The inside diameter of the connection point must be equal to or larger than the dimension from the inside end of the hook to the pivot point. See Figure 2.

Never connect large rebar or ladder type snap hooks to D-Rings.

Never attach snap hooks or carabiners to webbing lanyards. Use appropriate anchor sling instead.

Do not attach two snaphooks to one D-ring.

Never attach snaphook or carabiner directly to a horizontal lifeline.

Never attach a snaphook or carabiner to any object that is incompatibly shaped or dimensioned in relation to the snaphook such that unintentional disengagement could occur by the connected object being able to depress the keeper and release itself. (OSHA 1915.159(a)(6)(v))

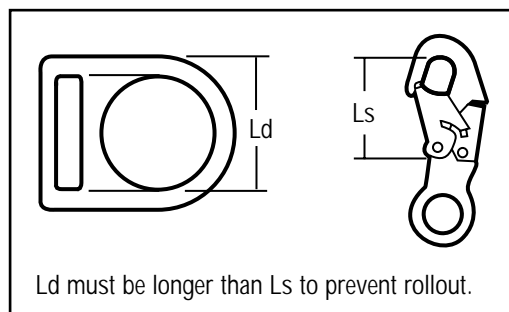


Figure 2: D-ring and Snaphook

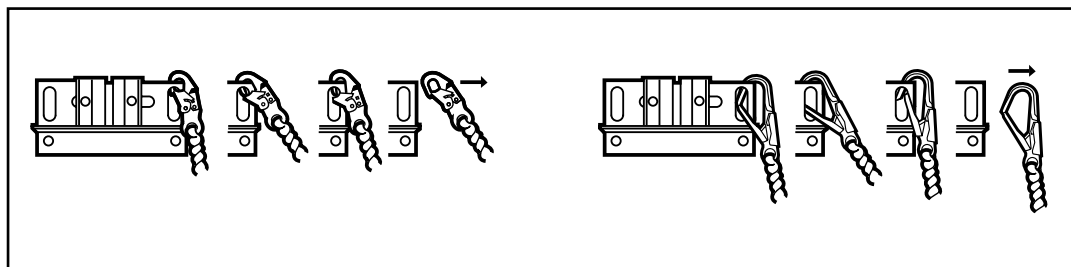


Figure 1: Snaphook Roll-Out

Sellstrom/RTC® Snaphooks & Carabiners

Installation, Operating & Maintenance Instructions

Safety Checklist

Warning



All operators and users of SM/RTC equipment MUST be able to answer "yes" to all of the following questions before installing or using any SM/RTC equipment.

- ✓ Has all equipment been inspected and maintained in accordance with SM/RTC instructions?
- ✓ Does the anchorage point meet SM/RTC and OSHA requirements?
- ✓ Has all equipment been assembled and installed according to SM/RTC instructions?
- ✓ Has all equipment been visually inspected immediately before use and found to be in good condition and proper working order?
- ✓ Is the equipment carrying less than the maximum load allowed?
- ✓ Has each user been recently trained in the proper and safe operation and use of the equipment?

- ✓ Do users understand the instructions?
- ✓ Is each person using this equipment in good health, and not under the influence of drugs or alcohol?
- ✓ Has SM/RTC been called if you or any user does not know how to comply with these or any of the requirements of this instruction booklet?

Do not use SM/RTC equipment if you answer "NO" to any of the questions above!

A "no" answer to any of the questions above could lead to a serious or fatal injury to a user or anyone in the vicinity of use. If you proceed to use the equipment, you may be held personally responsible for not following this warning. If you answered "no", go back and review these and any other applicable instructions or contact SM/RTC for assistance.